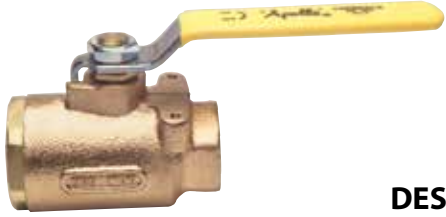


'Apollo' Valves

SUBMITTAL SHEET

77-100 Series

Full Port Ball Valve with Mounting Pad



Job Name:	
Job Location:	
Engineer:	
Contractor:	
Tag:	
PO Number:	
Representative:	
Wholesale Distributor:	



DESCRIPTION

The Apollo® 77 Series is a Full Port, Two-Piece, Bronze, Ball Valve with mounting pad.

FEATURES

- Adjustable Packing
- Blow-Out Proof Stem Design
- RPTFE Seats and Stuffing Box Ring
- Hardened Ball for wear resistance
- 100% factory tested
- Mounting Pad for easy Actuator Mounting
- **Made in USA, ARRA Compliant**

PERFORMANCE RATING

- Maximum Pressure: 600 psi CWP, 150 psi SWP
- Maximum Temperature: 500°F
- Vacuum Service to 29 in. Hg

MODELS

- 77-100 Series – Standard
- 77-140 Series – 316 SS Ball & Stem
- 77-150 Series – Balancing Stop
- 77-190 Series – Locked Retainer

APPROVALS

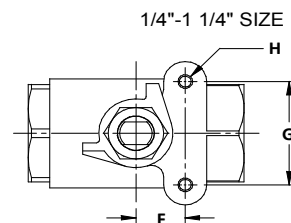
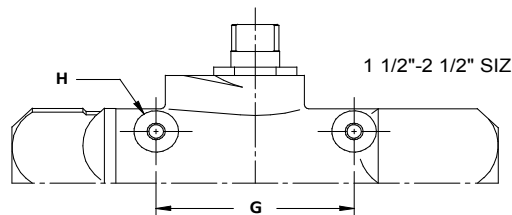
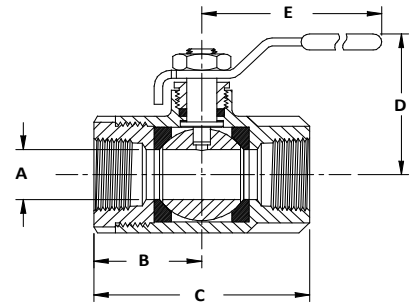
- MSS SP-110; Ball Valves, Threaded, Socket-Welding, Solder Joint, Grooved and Flared Ends
- Federal Specification: WW-V-35C, Type: II, Composition: BZ, Style: 3
- CRN: OC10908.5C

STANDARD MATERIALS LIST

Part Name	Material
Lever and Grip	Steel, Zinc Plated w/ Vinyl
Stem Packing	RPTFE
Stem Bearing	RPTFE
Ball	B16, Chrome Plated or B283, C37700
Seat (2)	RPTFE
Retainer	B16 or B283, C37700 (3/4" to 1"), B584-C84400 (1 1/4" to 2 1/2")
Gland Nut	B16
Stem	B16
Lever Nut	Steel, Zinc Plated
Body Seal (1 1/4" to 2 1/2")	PTFE
Body	B584-C84400

DIMENSIONS

Part Number	Size (in.)	Dimensions (in.)							
		A	B	C	D	E	F	G	H
77-101-01	1/4"	0.43	1.12	2.25	1.81	3.87	0.50	1.12	10-24 NC
77-102-01	3/8"	0.50	1.12	2.25	1.81	3.87	0.50	1.12	10-24 NC
77-103-01	1/2"	0.50	1.12	2.25	1.81	3.87	0.50	1.12	10-24 NC
77-104-01	3/4"	0.81	1.56	3.12	2.12	4.87	0.87	1.37	10-24 NC
77-105-01	1"	1.00	1.81	3.62	2.62	5.50	0.93	1.50	1/4-20 NC
77-106-01	1 1/4"	1.25	2.12	4.25	2.87	5.50	0.93	1.50	1/4-20 NC
77-107-01	1 1/2"	1.50	2.37	4.75	3.34	8.00	2.08	3.06	5/16-24 NF
77-108-01	2"	2.00	2.65	5.37	3.71	8.00	2.41	3.52	5/16-24 NF
77-109-01	2 1/2"	2.50	3.25	6.50	4.12	8.00	2.75	3.37	1/4-20 NC



Apollo Valves, Manufactured by **Conbraco Industries, Inc.**
 701 Matthews Mint-Hill Road, Matthews, NC 28105 USA
www.apollovalves.com | (704) 841-6000

This specification is provided for reference only. Conbraco Industries Inc. reserves the right to change any portion of this specification without notice and without incurring obligation to make such changes to Conbraco products previously or subsequently sold. Please visit our website @ www.apollovalves.com for the most current information.



"Apollo" Valves

SUBMITTAL SHEET

77-100 Series

Full Port Ball Valve with Mounting Pad

OPTIONS & SIZES

• (-02) Stem Grounded	1/4" - 2 1/2"
• (-03) 1 1/4" CS Stem Extension	1/4" - 2 1/2"
• (-04) 2 1/4" CS Stem Extension	1/4" - 2 1/2"
• (-05) Plain Ball	1/4" - 2 1/2"
• (-07) Steel Tee Handle	1/4" - 1 1/2"
• (-08) 90° Reversed Stem	1/4" - 2 1/2"
• (-10) SS Lever & Nut	1/4" - 2 1/2"
• (-14) Side Vented Ball (Uni-Directional)	1/4" - 2 1/2"
• (-15) Wheel Handle, Steel	1/4" - 1 1/4"
• (-16) Chain Lever-Vertical	3/4" - 2 1/2"
• (-17) Rough Chrome Plated	1/4" - 2 1/2"
• (-18) Plain Yellow Grip	1/4" - 2 1/2"
• (-20) Slot Vented Ball	1/4" - 2 1/2"
• (-21) UHMWPE Trim (Non-PTFE)	1/4" - 2 1/2"
• (-24) Graphite Packing	1/4" - 2 1/2"
• (-27) SS Latch-Lock Lever & Nut	1/4" - 2 1/2"
• (-28) Mounting Pad NOT Drilled and Tapped	1/4" - 2 1/2"
• (-30) Cam-Lock & Grounded	1/4" - 1 1/4"
• (-32) SS Tee Handle & Nut	1/4" - 1 1/4"
• (-35) VTFE Trim	1/4" - 2 1/2"
• (-36) SS Hi-Rise Round Handle & Nut	1/4" - 1 1/4"
• (-40) Cyl-Loc & Grounded	1/4" - 1 1/4"
• (-45) Less Lever & Nut	1/4" - 2 1/2"
• (-46) Latch Lock Lever-Lock Closed Position Only	1/4" - 2 1/2"
• (-47) SS Oval Latch-Lock Handle & Nut	1/4" - 3/4"
• (-48) SS Oval Handle (No Latch) & Nut	1/4" - 2"
• (-49) Assembled Dry	1/4" - 2 1/2"
• (-50) 2-1/4" CS Locking Stem Extension	1/4" - 2 1/2"
• (-56) MPTFE Seats and Packing	1/4" - 2 1/2"
• (-57) Oxygen Cleaned	1/4" - 2 1/2"
• (-58) Chain Lever-Horizontal	3/4" - 2 1/2"
• (-60) Static Grounded Ball & Stem	1/4" - 2 1/2"
• (-63) NPT x Solder/Socket Weld	1/4" - 2 1/2"
• (-64) 250# Steam Trim	1/4" - 2 1/2"
• (-P01) BSPP (Parallel) Thread Connection	1/4" - 2 1/2"
• (-T01) BSPT (Tapered) Thread Connection	1/4" - 2 1/2"

Apollo Valves, Manufactured by **Conbraco Industries, Inc.**
701 Matthews Mint-Hill Road, Matthews, NC 28105 USA
www.apollovalves.com | (704) 841-6000

This specification is provided for reference only. Conbraco Industries Inc. reserves the right to change any portion of this specification without notice and without incurring obligation to make such changes to Conbraco products previously or subsequently sold. Please visit our website @ www.apollovalves.com for the most current information.

