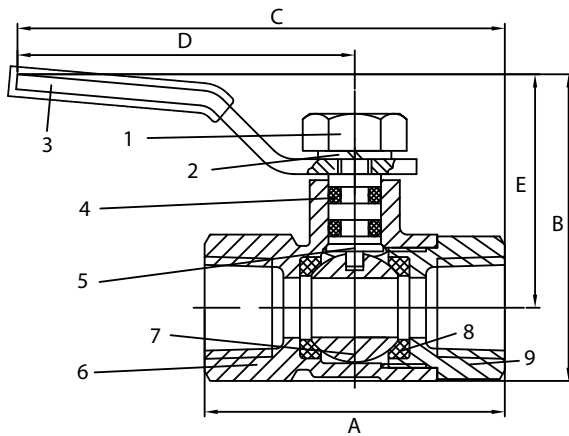


BRASS MINI BALL VALVE, THREADED



- 600 lb. CWP, 150 lb. WSP
- Forged brass body
- ISO 9001:2008 manufacturer



No.	Part	Material
1	Handle Nut	Forged Steel ASTM - AISI-1010
2	Handle Washer	Steel
3	Handle	Steel
4	O-Ring	NBR
5	Stem	Forged Brass ASTM B-124, C37700
6	Body	Forged Brass ASTM B-124, C37700
7	Ball	Chrome Plated Brass ASTM B-124, C37700
8	Seat Rings	PTFE
9	Body End Cap	Forged Brass ASTM B-124, C37700

Size IN	Part Number	Weight LB	A IN	B IN	C IN	D IN	E IN
1/4 x 1/4	01728140CC	0.2	1.54	1.34	2.43	1.66	1.20

USA 800-766-0076

Fax 323-890-4456

www.smithcooper.com

Los Angeles, CA

Chicago, IL

Atlanta, GA

Vancouver, WA

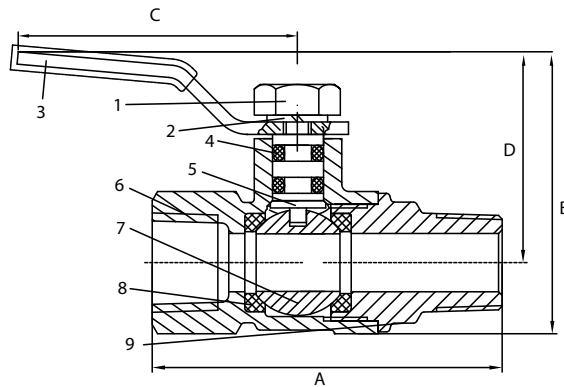
Houston, TX

Series 01728141

## BRASS MINI BALL VALVE, THREADED FIP x MIP



- 600 lb. CWP, 150 lb. WSP
- Forged brass body
- ISO 9001:2008 manufacturer



No.	Part	Material
1	Handle Nut	Forged Steel ASTM - AISI-1010
2	Handle Washer	Steel
3	Handle	Steel
4	O-Ring	NBR
5	Stem	Forged Brass ASTM B-124, C37700
6	Body	Forged Brass ASTM B-124, C37700
7	Ball	Chrome Plated Brass ASTM B-124, C37700
8	Seat Rings	PTFE
9	Body End Cap	Forged Brass ASTM B-124, C37700

Size IN	Part Number	Weight LB	A IN	B IN	C IN	D IN
1/8 x 1/8	01728141AA	0.2	1.57	1.33	1.66	1.18
1/4 x 1/8	01728141CA	0.2	1.57	1.33	1.66	1.18
1/4 x 1/4	01728141CC	0.2	1.57	1.33	1.66	1.18

USA 800-766-0076

Fax 323-890-4456

www.smithcooper.com

Los Angeles, CA

Chicago, IL

Atlanta, GA

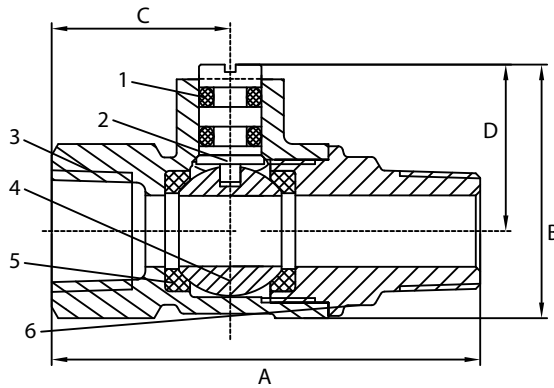
Vancouver, WA

Houston, TX

**SLOT STEM BRASS MINI BALL VALVE, THREADED FIP x MIP**



- 600 lb. CWP, 150 lb. WSP
- Forged brass body
- ISO 9001:2008 manufacturer



No.	Part	Material
1	O-Ring	NBR
2	Stem	Forged Brass ASTM B-124, C37700
3	Body	Forged Brass ASTM B-124, C37700
4	Ball	Chrome Plated Brass ASTM B-124, C37700
5	Seat Rings	PTFE
6	Body End Cap	Forged Brass ASTM B-124, C37700

Size IN	Part Number	Weight LB	A IN	B IN	C IN	D IN
1/4 x 1/4	01728142CC	0.2	1.89	1.12	0.79	0.732

USA 800-766-0076

Fax 323-890-4456

www.smithcooper.com

Los Angeles, CA

Chicago, IL

Atlanta, GA

Vancouver, WA

Houston, TX