

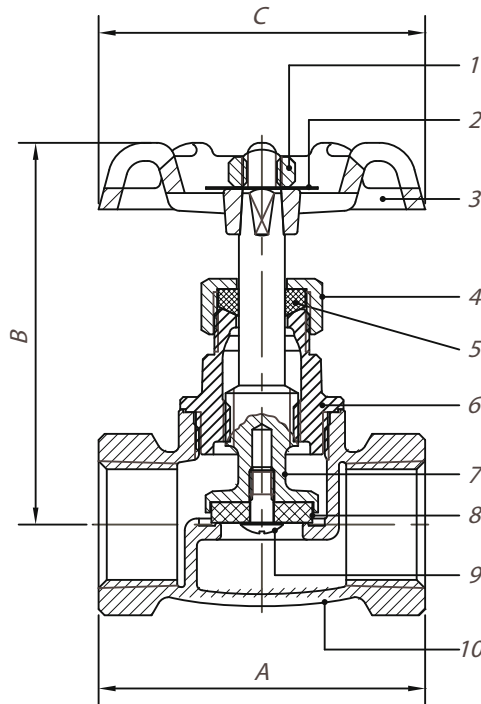


Series 0190132L

LEAD-FREE BRASS STRAIGHT STOP, THREADED



- California AB1953 lead-free approved
- Meets federal Safe Water Drinking Water Act, lead-free requirement
- 125 lb. WOG
- Cast brass
- CSA approved
- ANSI/NSF 61.8 approved
- ISO 9001:2008 manufacturer



No.	Part	Material
1	Wheel Nut	Forged Steel ASTM-AISI-1010
2	Name Plate	Aluminium ASTM B-209, Alloy 1100
3	Hand-Wheel	Cast Iron ASTM A-48, Class No. 35
4	Stem	Cast Brass ASTM B-584, C85700
5	Packing Nut	Brass ASTM B-16, C3600
6	Packing	Graphite
7	Bonnet	Cast Brass ASTM B-584, C85700
8	Body	Cast Brass ASTM B-584, C85700
9	Seat Disk	NBR
10	Seat Disk Screw	Brass ASTM B-16, C36000

USA 800-766-0076

Fax 323-890-4456

www.smithcooper.com

Los Angeles, CA

Chicago, IL

Atlanta, GA

Vancouver, WA

Houston, TX

Size IN	Part Number	Weight LB	A IN	B IN	C IN
1/2	0190132GL	0.53	2.13	2.64	2.13
3/4	0190132IL	0.59	2.13	2.64	2.13

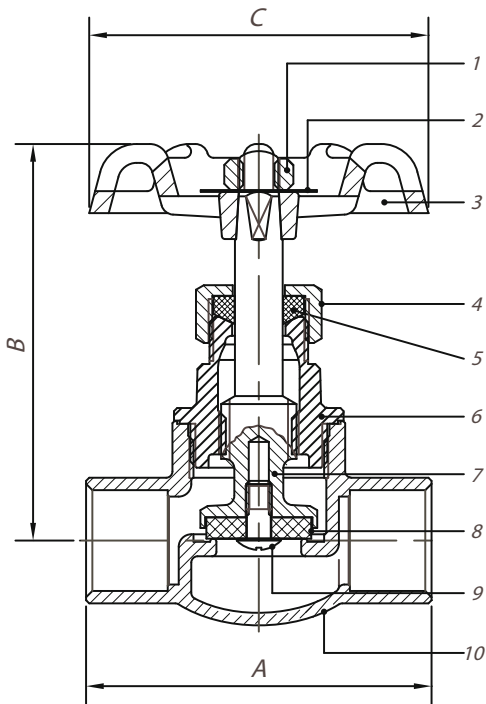


Series 0190142L

BRASS STRAIGHT STOP, SWEAT



- California AB1953 lead-free approved
- Meets federal Safe Water Drinking Water Act, lead-free requirement
- 125 lb. WOG
- Cast brass
- CSA approved
- ANSI/NSF 61.8 approved
- ISO 9001:2008 manufacturer



No.	Part	Material
1	Wheel Nut	Forged Steel ASTM-AISI-1010
2	Name Plate	Aluminium ASTM B-209, Alloy 1100
3	Hand-Wheel	Cast Iron ASTM A-48, Class No. 35
4	Stem	Cast Brass ASTM B-584, C85700
5	Packing Nut	Brass ASTM B-16, C3600
6	Packing	Graphite
7	Bonnet	Cast Brass ASTM B-584, C85700
8	Body	Cast Brass ASTM B-584, C85700
9	Seat Disk	NBR
10	Seat Disk Screw	Brass ASTM B-16, C36000

USA 800-766-0076

Fax 323-890-4456

www.smithcooper.com

Los Angeles, CA

Chicago, IL

Atlanta, GA

Vancouver, WA

Houston, TX

Size IN	Part Number	Weight LB	A IN	B IN	C IN
1/2	0190142GL	0.45	2.13	2.64	2.13
3/4	0190142IL	0.55	2.17	2.64	2.13