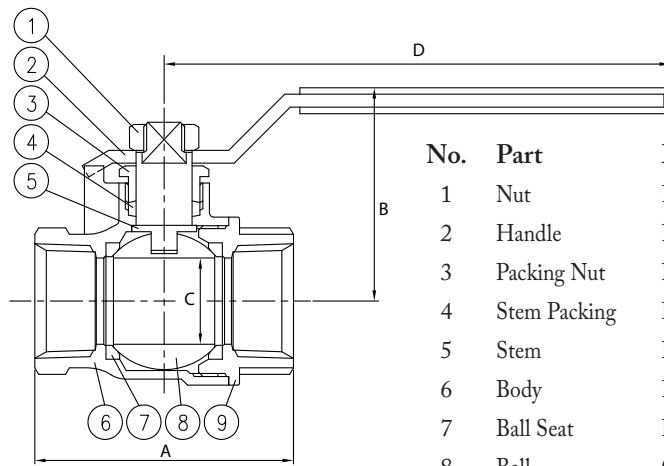


BRASS BALL VALVE, THREADED



- 600 lb. CWP, 150lb. WSP
- Full port
- Forged brass body
- Blow-out proof stem
- CSA approved under z21.15a for 1/2 psig (1/2" - 2")
- CSA approved under 3-88 for 5 psig (1/2" - 2")
- ISO 9001:2008 manufacturer



No.	Part	Material
1	Nut	Forged Steel ASTM A283 (Zinc Plated)
2	Handle	Forged Steel ASTM A283 (Zinc Plated)
3	Packing Nut	Brass
4	Stem Packing	PTFE
5	Stem	Brass
6	Body	Forged Brass (copper greater than 57%)
7	Ball Seat	PTFE
8	Ball	Chrome Plated Brass
9	Body End Cap	Forged Brass (copper greater than 57%)

Size IN	Part Number	Weight LB	A IN	B IN	C IN	D IN
1/4	01728155C	0.3	1.69	1.62	0.39	3.47
3/8	01728155E	0.3	1.69	1.62	0.39	3.47
1/2	01728155G	0.5	2.07	1.85	0.51	3.47
3/4	01728155I	0.7	2.38	2.13	0.55	4.33
1	01728155K	1.0	2.90	2.29	0.66	4.33
1-1/4	01728155L	1.7	3.27	2.80	0.67	5.71
1-1/2	01728155M	2.3	3.62	3.00	0.68	5.71
2	01728155N	3.5	4.41	3.27	0.87	5.71
2-1/2	01728155P	7.2	6.00	4.50	1.06	9.25
3	1728155Q	8.8	6.50	4.92	1.87	9.25
4	01728155T	16.5	7.75	5.75	1.90	10.39

USA 800-766-0076

Fax 323-890-4456

www.smithcooper.com

Los Angeles, CA

Chicago, IL

Atlanta, GA

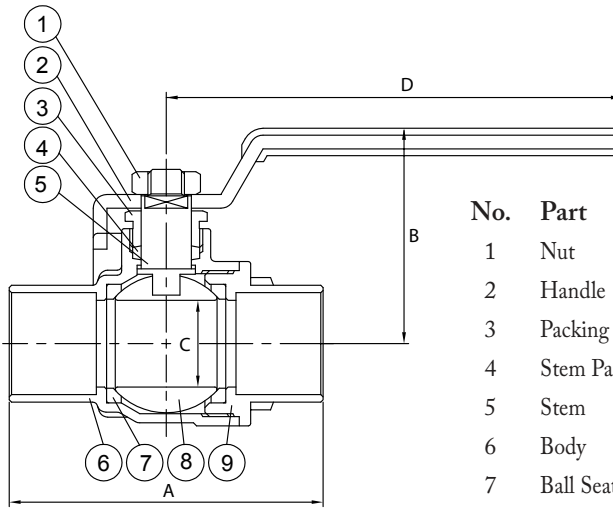
Vancouver, WA

Houston, TX

BRASS BALL VALVE, SWEAT



- 600 lb. CWP, 150 lb. WSP
- Full port
- Forged brass body
- Blow-out proof stem
- ISO 9001:2008 manufacturer



No.	Part	Material
1	Nut	Forged Steel ASTM A283 (Zinc Plated)
2	Handle	Forged Steel ASTM A283 (Zinc Plated)
3	Packing Nut	Brass ASTM B-124, C37700
4	Stem Packing	PTFE
5	Stem	Brass
6	Body	Forged Brass (copper greater than 57%)
7	Ball Seat	PTFE
8	Ball	Chrome Plated Brass
9	Body End Cap	Forged Brass (copper greater than 57%)

Size IN	Part Number	Weight LB	A IN	B IN	C IN	D IN	E IN
1/2	01728156G	0.50	2.24	1.85	0.59	0.59	3.47
3/4	01728156I	0.70	2.82	2.13	0.79	0.79	4.33
1	01728156K	1.0	3.31	2.29	0.99	0.99	4.33
1-1/4	01728156L	1.7	4.14	2.80	1.26	1.26	5.71
1-1/2	01728156M	2.3	4.45	3.00	1.58	1.58	5.71
2	01728156N	3.5	5.35	3.27	1.97	1.97	5.71

USA 800-766-0076

Fax 323-890-4456

www.smithcooper.com

Los Angeles, CA

Chicago, IL

Atlanta, GA

Vancouver, WA

Houston, TX